

DS-2CE12KF3T-LE 3K ColorVu PoC Fixed Bullet Camera



- High quality imaging with 3K, 2960 × 1665 resolution
- Excellent low-light performance
- 24/7 color imaging with F1.0 aperture
- Clear imaging against strong back light due to 130 dB true WDR technology
- 3D DNR technology delivers clean and sharp images
- 2.8 mm and 3.6 mm fixed focal lens
- Up to 40 m IR distance for bright night imaging
- Up to 40 m white light distance for bright night imaging
- Water and dust resistant (IP67)
- Smart-Hybrid light, optimize your security with flexible lighting options

▪ Specification

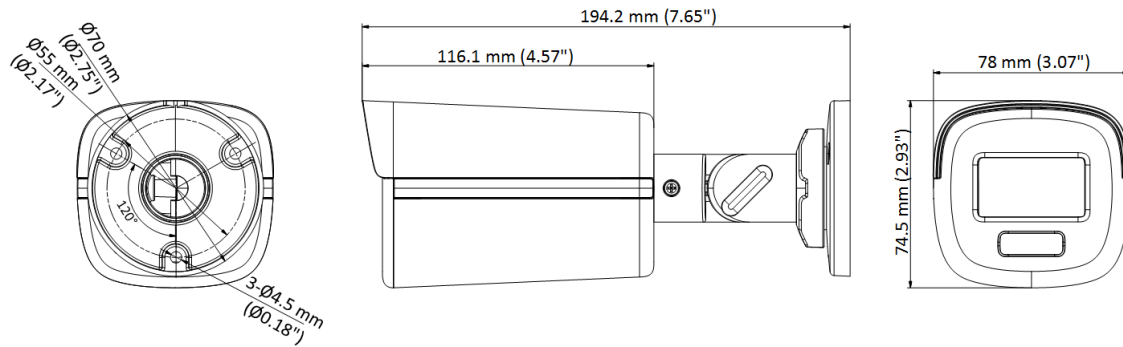
| Camera | |
|--------------------------|---|
| Image Sensor | 3K CMOS |
| Signal System | PAL/NTSC |
| Max. Resolution | 2960 (H) × 1665 (V) |
| Min. Illumination | 0.0005 Lux @ (F1.0, AGC ON), 0 Lux with white light |
| Shutter Time | PAL: 1/25 s to 1/50,000 s; NTSC: 1/30 s to 1/50,000 s |
| Angle Adjustment | Pan: 0° to 360°, Tilt: 0° to 180°, Rotate: 0° to 360° |
| Lens | |
| Lens Type | 2.8 mm and 3.6 mm fixed focal lens |
| Focal Length & FOV | 2.8 mm, horizontal FOV: 110°, vertical FOV: 59°, diagonal FOV: 139° 3.6 mm, horizontal FOV: 90°, vertical FOV: 49°, diagonal FOV: 105° |
| Lens Mount | M12 |
| Illuminator | |
| Supplement Light Range | IR: Up to 40 m, White Light: Up to 40 m |
| Smart Supplement Light | Yes |
| Image | |
| Frame Rate | 3K @20 fps, 4 MP @25 fps/30 fps, 1080p @25 fps/30 fps |
| Privacy Mask | 4 programmable privacy masks/8programmable privacy masks |
| Wide Dynamic Range (WDR) | ≥130 dB |
| Image Parameters Switch | STD/HIGH-SAT/HIGHLIGHT |
| AGC | Yes |
| Day/Night Mode | Auto/Color/BW (Black and White) |
| White Balance | Auto/Outdoor/Global/Manual |
| Image Enhancement | WDR,BLC,HLC,Global,HLS |
| Noise Reduction | 3D DNR/2D DNR |
| Image Settings | Brightness,Contrast,Mirror,Smart Light,Anti-Banding |
| Interface | |
| Video Output | 1 HD analog output |
| Event | |
| Motion Detection | 4 programmable motion areas |
| General | |
| Power | 12 VDC±25%, PoC.at, Max.7.8 W,*You are recommended to use one power adapter to supply the power for one camera. |
| Language | English |
| Operating Condition | -40 °C to 60 °C (-40 °F to 140 °F). Humidity: 90% or less (non-condensing) |
| Material | Metal |
| Communication | HIKVISION-C |
| Dimension | 194.2 mm × 78 mm × 74.5 mm (7.65" × 3.07" × 2.93") |
| Weight | Approx. 570 g (1.26 lb.) |
| Approval | |
| Protection | IP67 |

▪ Available Model

DS-2CE12KF3T-LE(2.8mm)



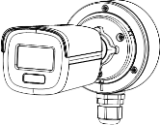
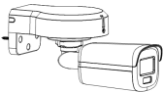
DS-2CE12KF3T-LE(3.6mm)

▪ **Dimension**



▪ **Accessory**

▪ **Optional**

| DS-1280ZJ-XS Junction box | DS-2280ZJ Wall mount |
|---|--|
|  |  |
|  |  |

Headquarters

No.555 Qianmo Road, Binjiang District,
Hangzhou 310051, China
T +86-571-8807-5998
www.hikvision.com



Follow us on social media to get the latest product and solution information.

